

## HX-AMF-02

### LED Amplifier

HX-AMF-02 LED Amplifier is compatible with all our company LED controller. It receive in and transmit out PWM signal. Adding one HX-AMF-02 LED amplifier, more 360W (12V) 720W (24V) led strips can be derived. In theory, LED amplifier can be connected to numerous.



### Product Feature

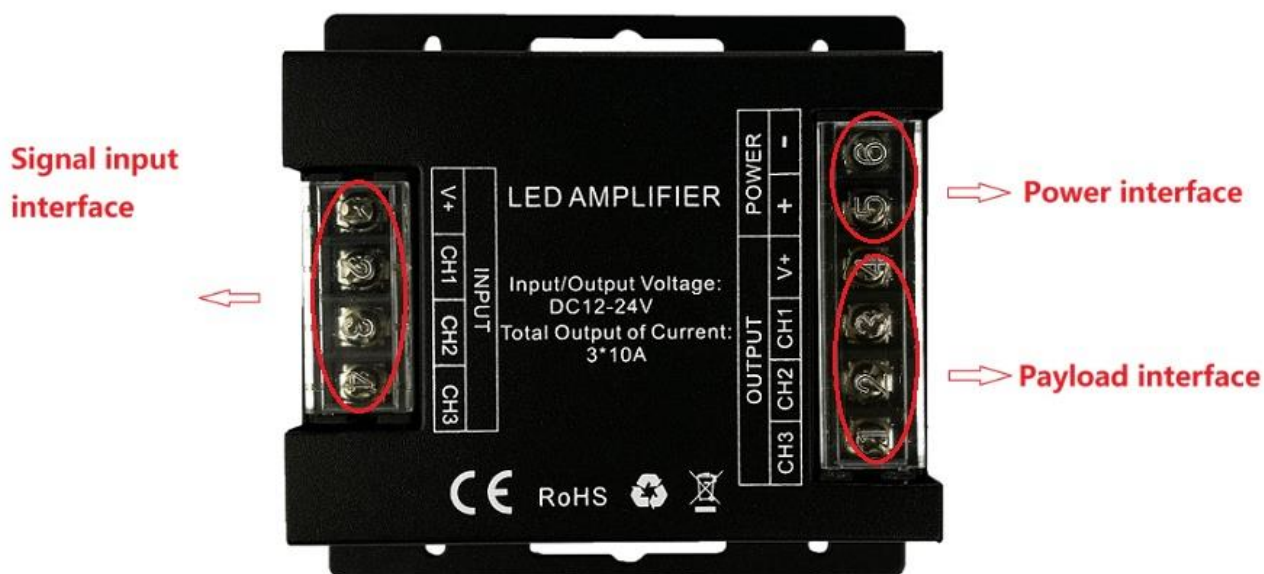
- AMF is constant voltage product, it can work with all kinds of the constant voltage controller.
- Adding one HX-AMF-02 LED amplifier, more 360W (12V) 720W (24V) led strips can be derived.
- Output: three channels, each channel max current of 10A.

- HX-AMF-02 LED Amplifier is compatible with all our company LED controller.
- 3- year warranty

## Technical Parameters

<b>Working temperature</b>	-20-60°C
<b>Supply voltage</b>	DC12V~24V
<b>Output</b>	3 channels
<b>Connecting mode</b>	common anode
<b>External dimension</b>	L91*W90*H24 mm
<b>Packing size</b>	L94*W92*H26 mm
<b>Net weight</b>	190g
<b>Gross weight</b>	220g
<b>Static power consumption</b>	<1W
<b>Output current</b>	≤10A(each channel)
<b>Output power</b>	12V:≤360W, 24V:≤ 720W

## Interface Specifications



RGB connection : CH3→B、CH2→G、CH1→R、V+→COM ;

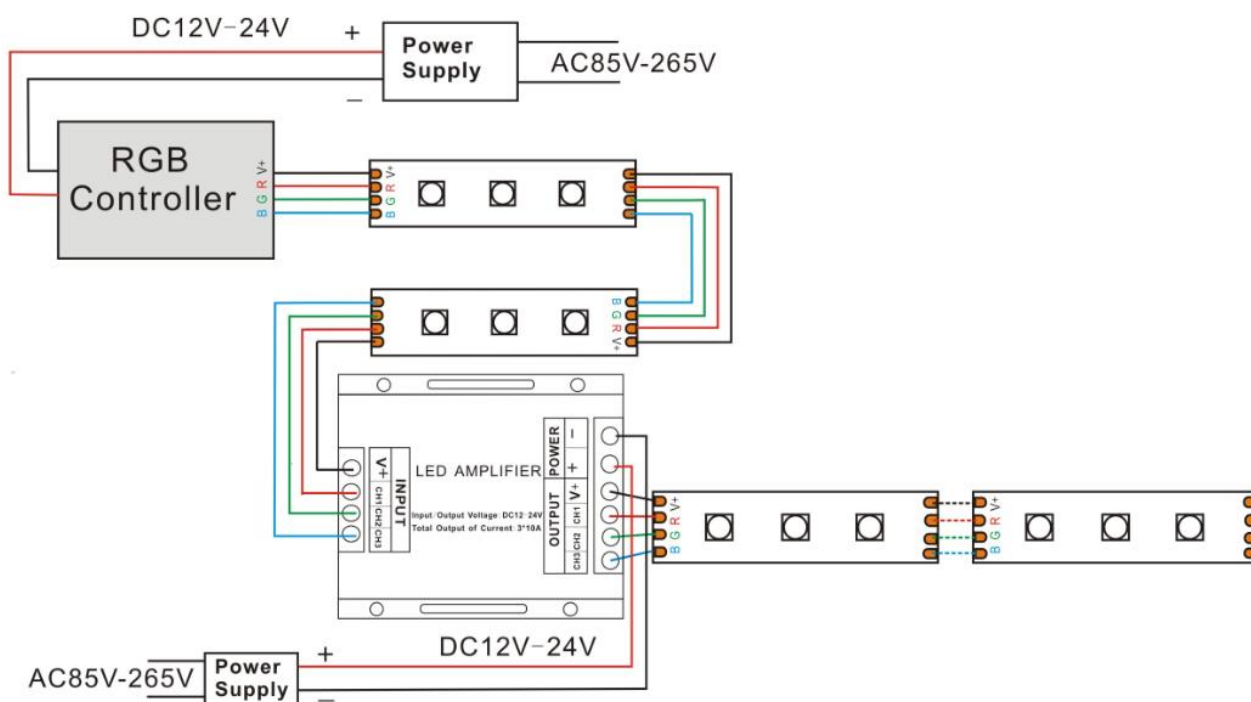
CCT(Cool white + warm white) connection : CH2→WW、 CH1→CW、 V+→COM ;

### Direction for use

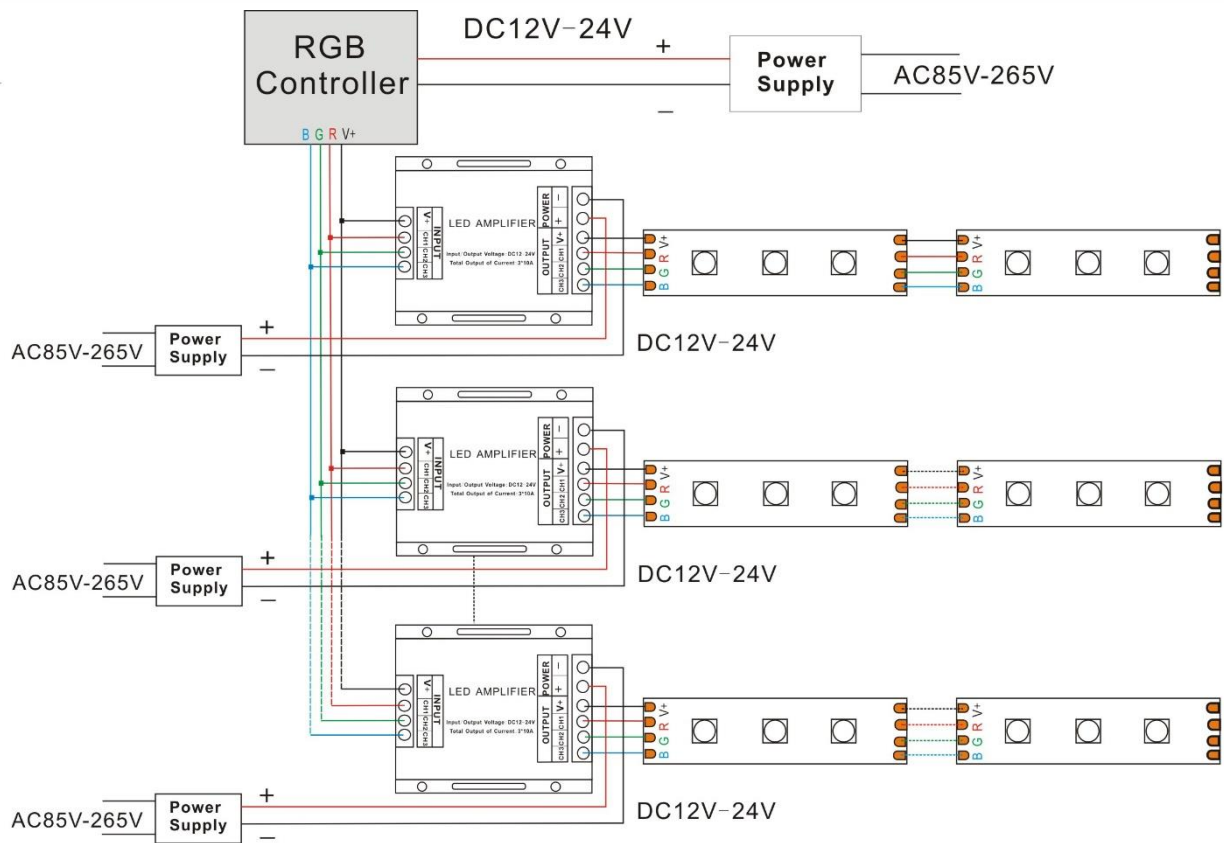
Seriously according to the print sign on the RGB amplifier iron box, connect the input and output signal lines correctly. Then connect the power supplier to the RGB amplifier Power. Specifically for the connection with LED controller and LED strip, please refer to the following <Typical Applications>.

### Typical Applications

Application Circuit1- Serial connection



Application Circuit2- Parallel connection



Product information for placing order

Product name	Item number
LED Amplifier	HX-AMF-02