

Product specification

Product description : RF 2.4GHz signal to Triac signal converter

Model : HX-WP86-2.4GT

Version : V1.1

Release date : 2020/12/02

Product Name	RF 2.4GHz signal to Triac signal converter		
Series	WP86		
Version Record			
Version	Change description	Release date	Compatibility with the previous version
V1.1	Original version	2020/12/02	

Customer confirms, Company name:

Test	Confirm	Audit

Complete model no according customer's demand:

NO 1		NO 2	
NO 3		NO 4	

1. Product photo



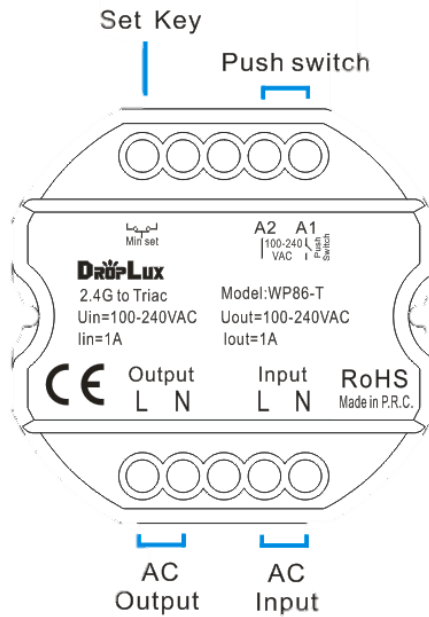
2. Features:

- 1) Working voltage: AC100-240V, 50/60Hz; Maximum output current: 1A;
- 2) RF frequency: 2.4GHz;
- 3) Translating RF 2.4GHz signal to Triac dimming signal, compatible with triac dimmable driver and dimmable lamp;
- 4) Push dimming function compatible;
- 5) Minimum brightness of dim range is settable;
- 6) Memory function (except off status);
- 7) 3 years warranty.

3. Technical Parameters

Working temperature	-20-45°C	Working voltage	AC100-240V,50/60Hz
Sleep current	0.01A (230V)	Output voltage	AC100-240V
Sleep consumption power	1.2W (230V)	Max. Output current	1A
Net weight	45g	Dimension	L51*W52*H25(mm)
RF distance	≤30m	RF frequency	2.4GHz

4. Connection ports



(1) Minimum brightness of dim range setting:

There are 6 levels of minimum brightness to choose from: 5%, 10%, 15%, 20%, 25%, 30%.

Step 1: Long press the Min set key, the light flashes 3 times, enter the minimum brightness setting state;

Step 2: Short press the setting button to set the minimum brightness, and the load will output the currently selected minimum brightness value;

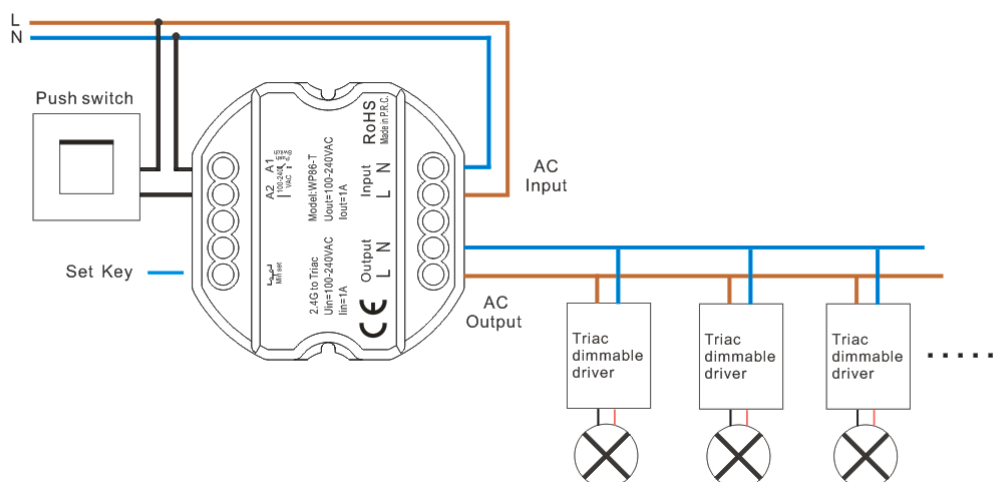
Step 3: After setting, long press the setting button for 2s to save and exit the setting, or wait for 10s, it will automatically save and exit the setting, and the load output will jump to 100% brightness.

(2) Push dim function (Push switch function is available and optional in application)

Short pressing (within 1.5s): ON/OFF

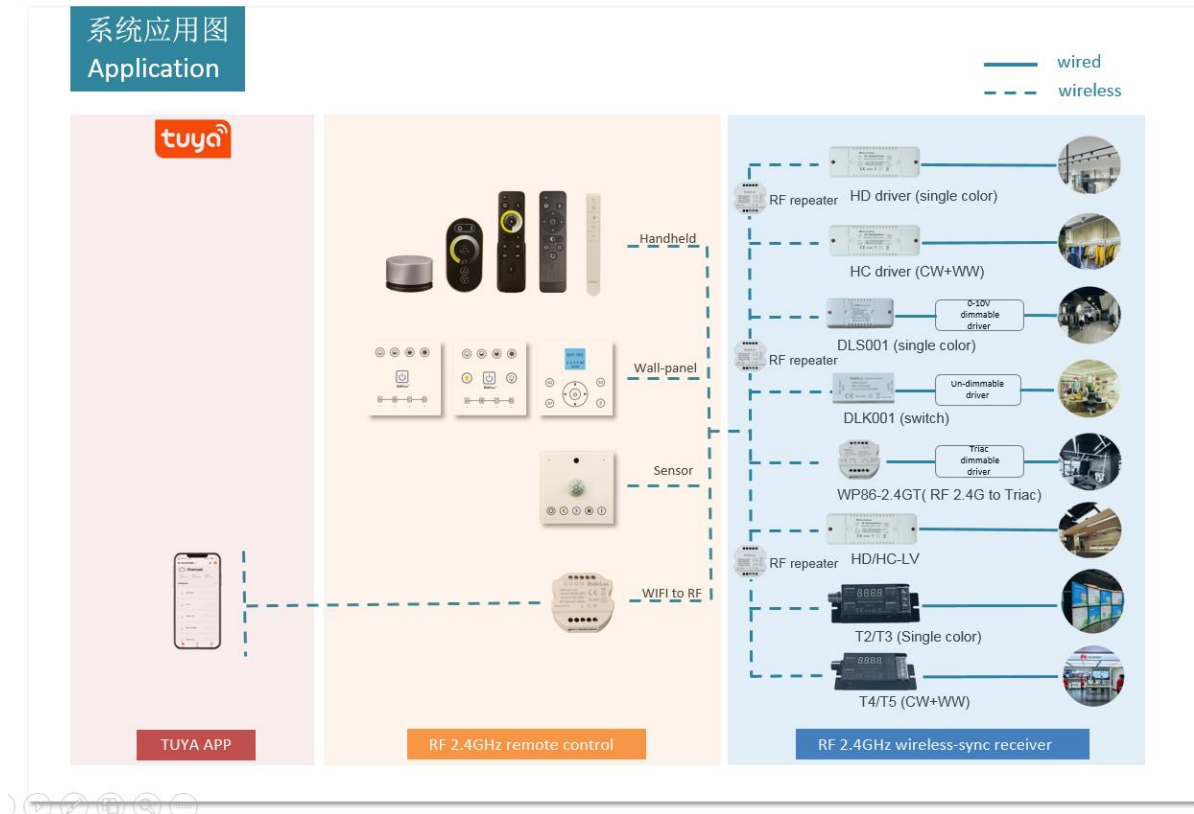
Long press: stepless dimming, every long press will adjust the brightness in the opposite direction.

5. Connection diagram



Tips : Push switch is optional.

6. Compatibility and application



7. Direction for use

Designed for translating RF 2.4GHz wireless signal to triac dim signal, so can conjunct triac dimmable device into smart lighting system.

It will be as a RF 2.4GHz wireless-sync receiver in the system, please operate the system setting according to the instructions from the compatible remote controls.

Product information for placing order

Product name	Item number
2.4GHz to Triac converter	HX-WP86-2.4GT