

HX-SZ600-RGBW-RF24K

RF 24 Key LED RGBW Sync Controller

RF 24 key Led RGBW Controller adopts the most advanced PWM (Pulse Width Modulation) digital technology with 4 channels constant voltage led RGBW controller. This model designed for RGBW/Y led products. Adopts RF 24 key remote, RGB and W each have independently control area without interference. Especially, it is designed with synchronization function. It is convenient to use RJ45 connector to connect the multiple controllers together, and achieve the synchronization function of thousands of meters led strips. In theory, they can be connected numerous.



Product Features:

- Designed for RGBW constant voltage LED lights, Max.output:4*8A.
- Working voltage DC12-24V, it can be universal in this range.
- Adopts PWM digital technology, signal frequency: 400Hz.
- Multiple controllers can work synchronously when connected by network cable through the RJ45 connector, the network cable between 2 ports up to 80 meters.
- RF 24-key wireless remote, RF frequency: 433.92MHz.
- “W” channel can be turn on/off and adjust the brightness independently, and 3 brightness level hot keys.

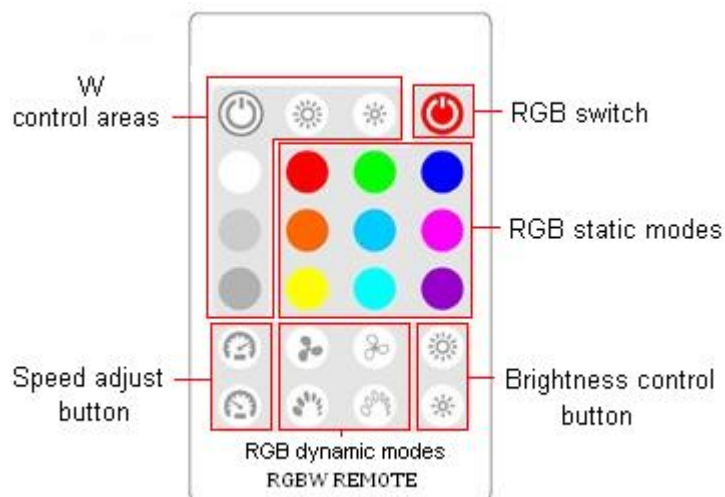
- 13 kind modes for RGB part, including 9 static colors and 4 dynamic changes; the brightness of static color and the speed of dynamic changes are adjustable.
- Warranty of this product is one year, exclude the artificial situation of damaged or overload working.

Technical Parameters:

Working temperature	-20-60°C
Supply voltage	DC12V~24V
Output	4 channels
Output gray	256 levels (with continuous reception)
Connecting mode	common anode
External dimension	L91*W90*H24 mm
Packing size	L106*W106*H66 mm
Net weight	180g
Gross weight	240g
Output current	<8A(each channel)
Output power	12V:384W; 24V: 768W
RF frequency	433.92MHz



Direction for use:

Adopt RF wireless 24-key remote control, function of each button as below:





W on/off	W brightness +	W brightness -	RGB on/off
100%	Static red	Static green	Static blue
50%	Static orange	Static sky blue	Static carmine
25%	Static yellow	Static cyan	Static purple
Speed +	Three colors jump	Three colors gradually change	brightness +
Speed -	Seven colors jumping change	Seven colors gradually change	brightness -

If new-coded-remote is needed, re-pairing the remote and the receiver before using as below operation instruction:

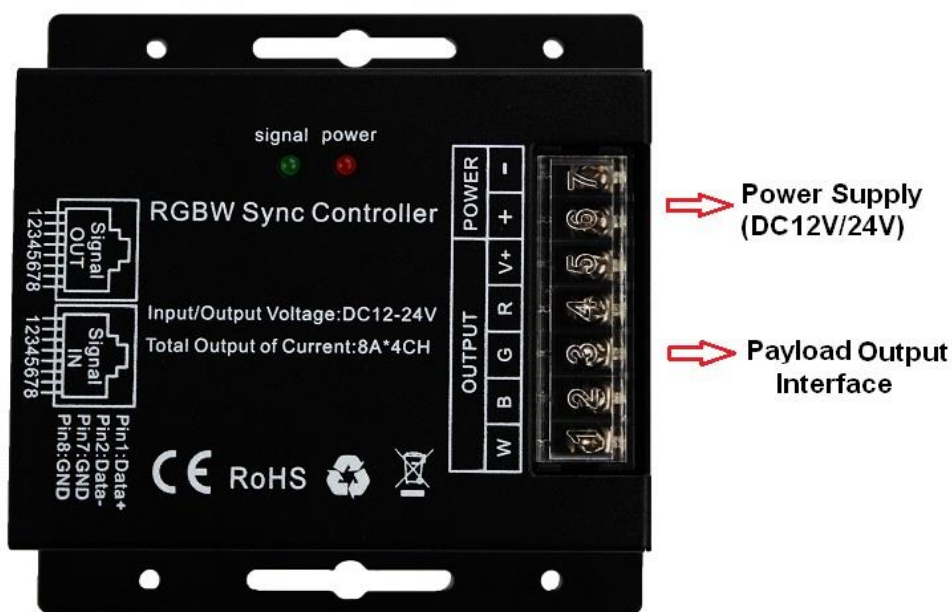
- Step 1:** Pressing key “Seven colors gradually change”  and hold on, power on the controller, the load LEDs will be 50% brightness white as responding.
- Step 2:** Continuously to press the key “Seven colors gradually change”  for 3 times with in 5 seconds after step 1, the brightness of LEDs will change from 50% -10% as responding.
- Code learning successfully, the LEDs flashes 3 times and will be back to the status before the power off, and the receiver can control by the remote.
- If not, please re-operate from step 1 to 2.

Clear Code:

- Step 1:** Pressing key “Seven colors jumping change”  and hold on, power on the controller, the load LEDs will be 50% brightness white as responding.
- Step 2:** Continuously to press the key “Seven colors jumping change”  for 3 times with in 5 seconds after step 1, the brightness of LEDs will change from 50% -10% as responding.
- Code clear successfully, the LEDs flashes 3 times and will be back to the status before the power off, and the receiver can control by the remote.
- If not, please re-operate from step 1 to 2.

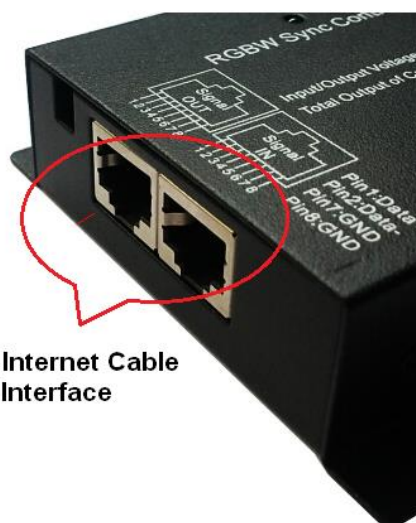
Interface Specifications

- Power and load interface:



2. Synchronization function

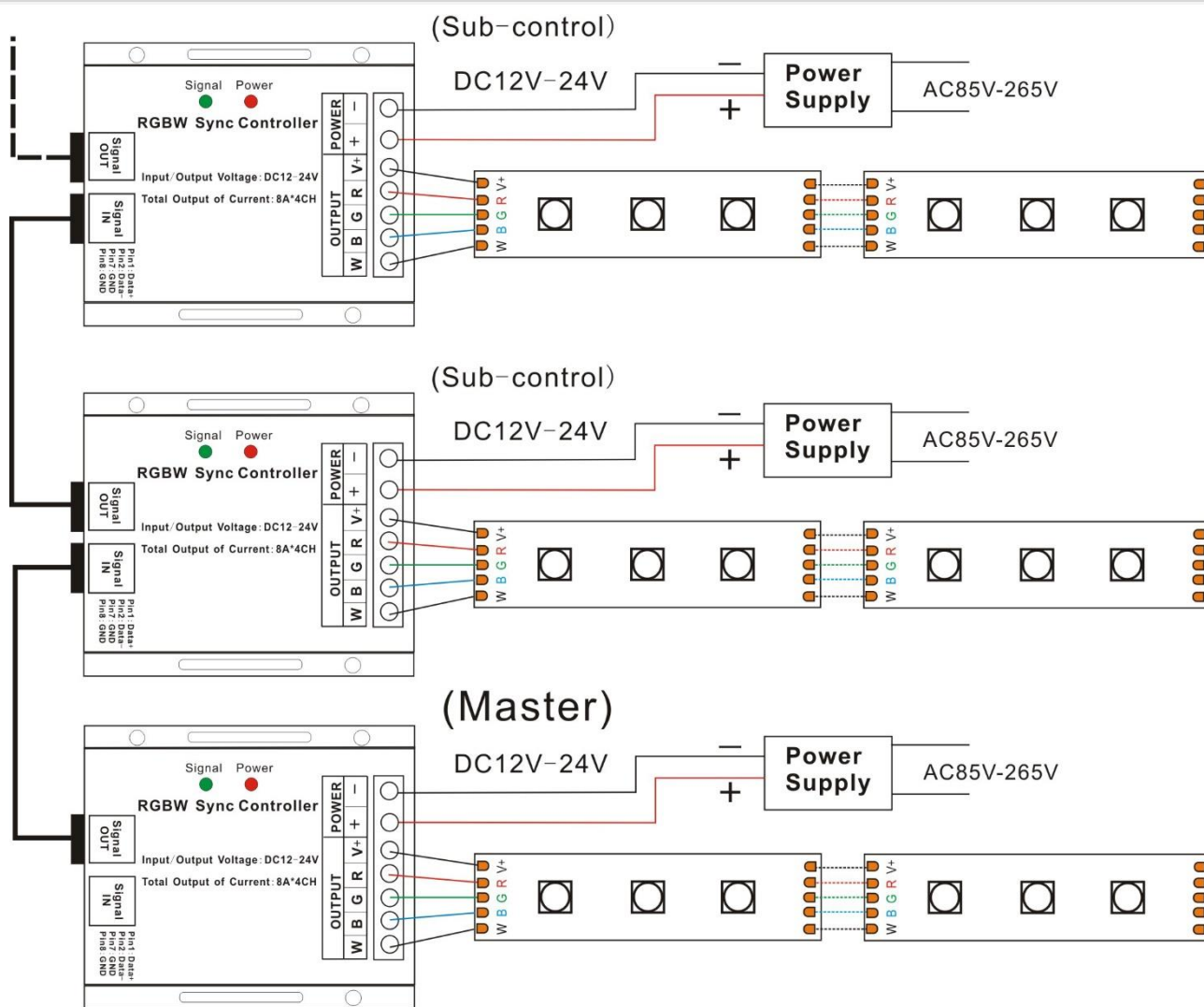
Multiple controllers can work synchronously when connected by network cable through the RJ45 connector.



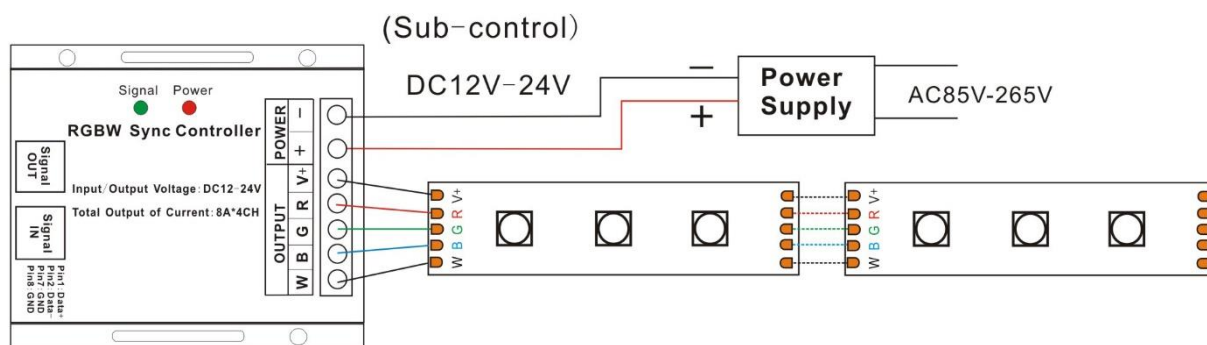
RJ 45 Internet Cable
SYNC Interface

Typical Applications

Application Circuit 1: Synchronization function with network cable



Application Circuit 2:



Product information for placing order

Product name	Item number
RF 24 Key LED RGBW Sync Controller	HX-SZ600-RGBW-24K