

HX-SZ600-TOUCH

LED RGB Controller with full touch remote control

HX-SZ600-TOUCH, adopts the advanced micro control unit, it is used for controlling a variety of LED lamps. For instance, point source of light, flexible light strip and so on; it has many advantages such as touch remote control, easy connection and simply to use. Meanwhile, you can adjust brightness, static color choices and various dynamic changes in lighting effects through wireless touch remote control. And according to the actual need of customers, it can carry out jumpy changing, gradual changing, stroboflash and other effects of change.

Especially, HX-SZ600-TOUCH designed with Synchronization function. It is convenient to use RJ45 connector to connect the multiple controllers together, and achieve the synchronization function of thousands meters led strips.



Product Feature

- HX-SZ600-Touch is constant voltage, suit for all kinds of the constant voltage LED RGB lamps.
- There is a RF remote touch control 5 functions, 1 color ring and 1 color sense lamp in the center, all buttons are in the touch form, the color ring have 128 levels in different colors.
- Using RJ45 connector to connect the multiple controllers together, and achieve the synchronization function of thousands meters led strips.
- There are 10 modes in total, including 1 white static colors and 9 dynamic modes. The

brightness of all static color and the speed of the dynamic modes are adjustable.

- Update the HB terminal with plastic protect cap
- 3-year warranty.

Technical Parameters

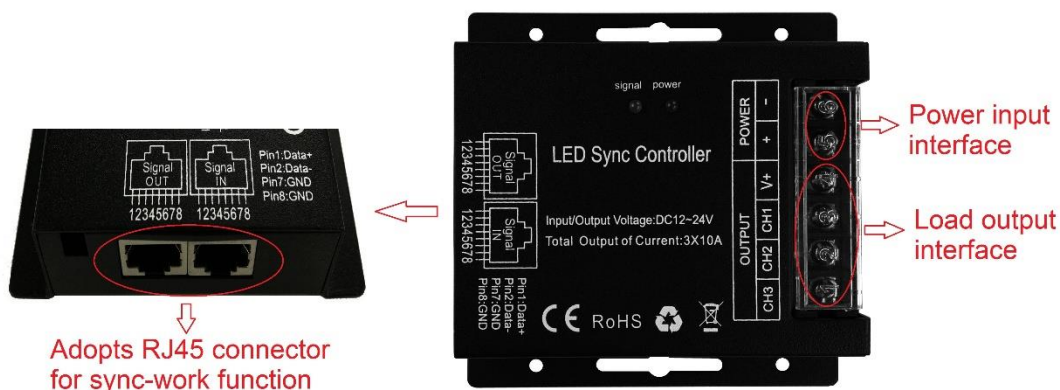
Controller:

Working temperature	-20-60°C
Supply voltage	DC12V~24V
Output	3 channels
Connecting mode	common anode
External dimension	L91*W90*H24 mm
Packing size	L106*W106*H66 mm
Net weight	300g
Gross weight	320g
Output gray	256 levels (RGB each)
Output current	<10A(each channel)
Output power	12V:<360W, 24V:<720W
RF frequency	433.9MHz

Remote control:

Working temperature	-20-60°C	Supply voltage	4.5V (AAA*3PCS)
Standby current	8uA	Emission current	30mA
Standby power	36uW	Emission power	135mW
Net weight	65g	External dimension	L150*W40*H20 (mm)
RF distance	≤20m	RF frequency	433.92MHz

Interface Specifications



RGB Connection : V+→COM、CH1→R、CH2→G、CH3→B

Direction for use

This product use RF touch control, with one color ring and 5 function buttons.

Tips: Without any operation more than 20 seconds, the touch remote will enter the sleep state, please SHAKE the remote to wake up it before the next using.



The function of each button as below:

Name of key	Instruction	Remarks
ON/OFF	ON or OFF in any time	
Pause	Pause or Continue	
Mode	The mode will go to next, when you touch the key each time	10 modes in total.

Speed/Brightness +	The Speed/Brightness will add, when you touch the key each time	Speed for dynamic modes, Brightness for static modes.
Speed/Brightness -	The Speed/Brightness will subtract, when you touch the key each time	Speed for dynamic modes, Brightness for static modes.
Color Ring	Touch any color which you want	

10 modes in total as below:

No	Patterns	Remarks
1	Static white	Brightness is adjustable
2	White flash	Speed is adjustable, brightness is unadjustable
3	White breath	
4	Three-color jump changing	
5	Seven-color jump changing	
6	Three-color gradient changing	
7	Seven-color gradient changing	
8	R/G cross fade	
9	R/B cross fade	
10	G/B cross fade	

RF CODE

Tips: Receiver can be controlled by any one the same remote as factory default; full touch remote control delivered with unique RF code as factory default; if unique-control is needed, please matching the code before installation and using.

Matching code operation

If unique-control or new-coded-remote is needed, pairing the remote and the receiver as below operation instruction before using:

- Step 1:** Pressing key “Mode” and hold on, power on the controller, the load LEDs will be 50% brightness white as responding.
- Step 2:** Continuously to press the key “Pause “ for 3 times within 5 seconds after step 1 ,the brightness of LEDs will change from 25% -10% as responding.
- Code learning successfully, the LEDs will be back to the status before the power off, and the receiver only can be control by the remote.
- If not, please re-operate from step 1 to 2.

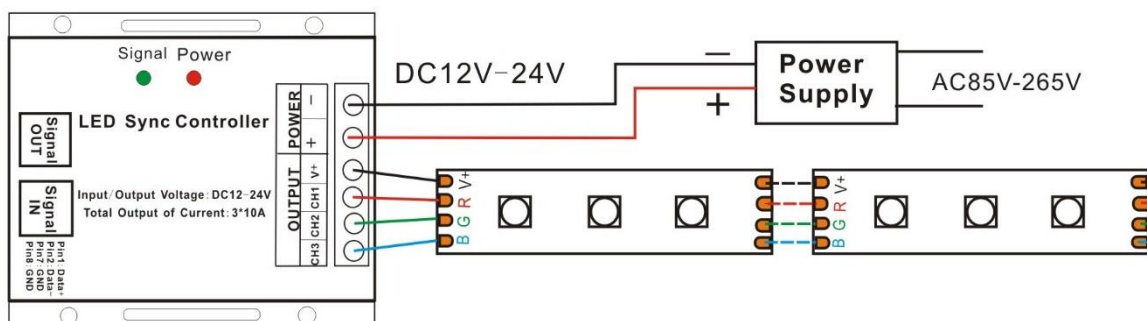
Clear code operation

Back to factory default, receiver can be controlled by any one the same remote control.

1. **Step 1:** Pressing key “Mode” and hold on, power on the controller, the load LEDs will be 50% brightness white as responding.
2. **Step 2:** Continuously to press “Speed/Brightness -“ 3 times within 5 seconds after step 1 ,the brightness of LEDs will change from 25% -10% as responding.
3. Code clearing successfully, the LEDs will be back to the status before the power off, and the receiver can be controlled by any remote control(any one the same remote control can be used to clear the code).
4. If not, please re-operate from step 1 to 2.

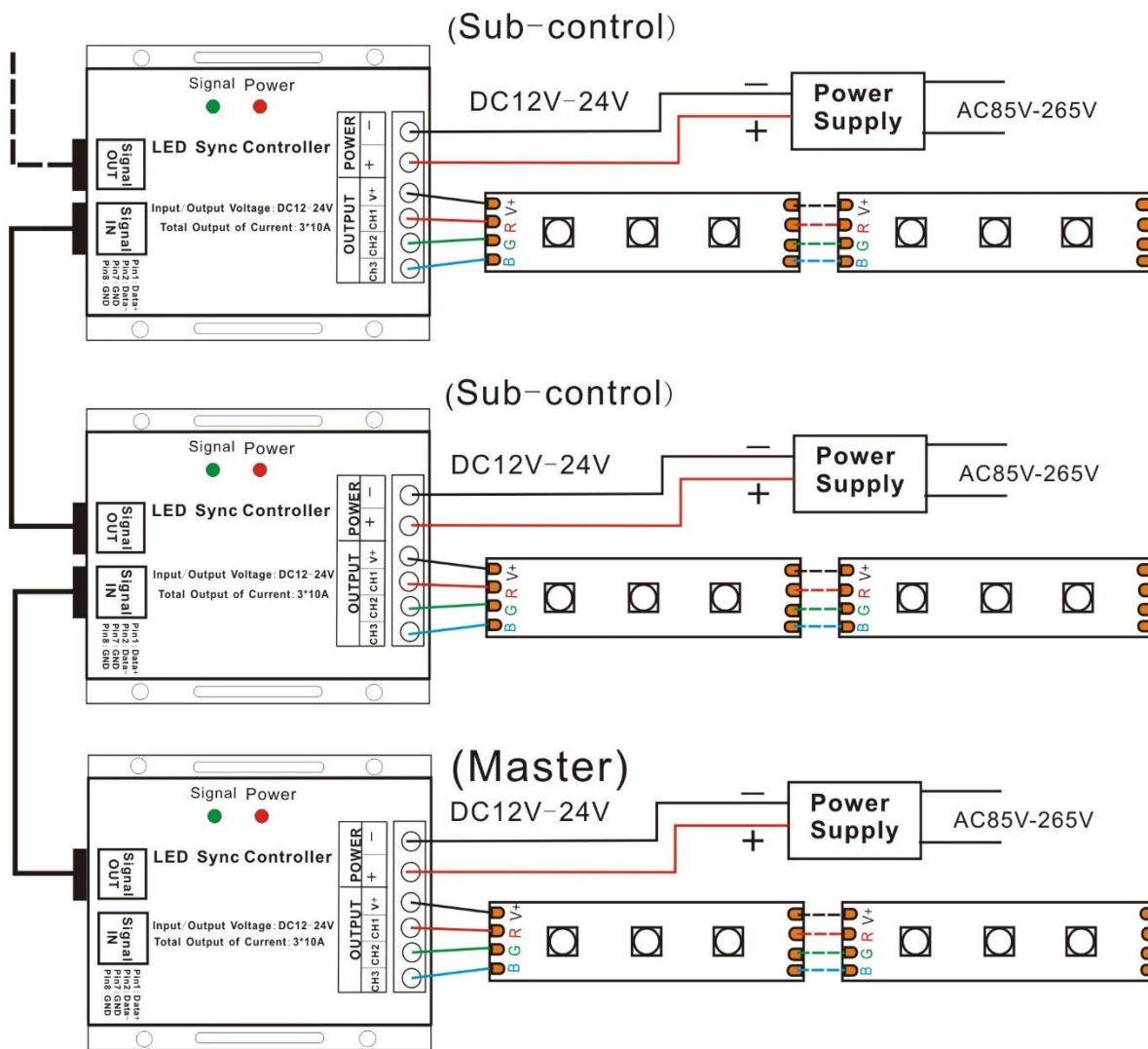
Typical Applications

Application Circuit 1:



Application Circuit 2: (Synchronization function with network Line (RJ45))

Note: The green signal indicator light will uniform flash with proper communication, and will off with any incorrect signal connection (like: poor contact, confused input and output, wrong wire order).



Product information for placing order

Product name	Item number
LED RGB Controller with full touch remote control	HX-SZ600-TOUCH