

HX-AMF-04

1 channel amplifier for single color led

HX-AMF-04 Amplifier is compatible with LED dimmer. It receive in and transmit out PWM signal. Adding one HX-AMF-04 amplifier, more 300W (12V)/ 600W (24V)led strips can be derived. In theory, HX-AMF-04 amplifier can be connected to numerous.



Product Feature

- HX-AMF-04 is constant voltage product, it can work with all kinds of the constant voltage LED dimmer.
- Output to 1 channel, max current up to 25A, max output power up to 300W (12V)/ 600W (24V).
- 3- year warranty.

Technical Parameters

Working temperature	-20-60°C
Supply voltage	DC12V~24V
Output	1 channel
External dimension	L127*W41*H32 (mm)
Packing size	L147*W85*H73 (mm)
Net weight	150g

Gross weight	170g
Static power consumption	<1W
Max. Output current	25A
Max. Output power	12V:300W, 24V:600W

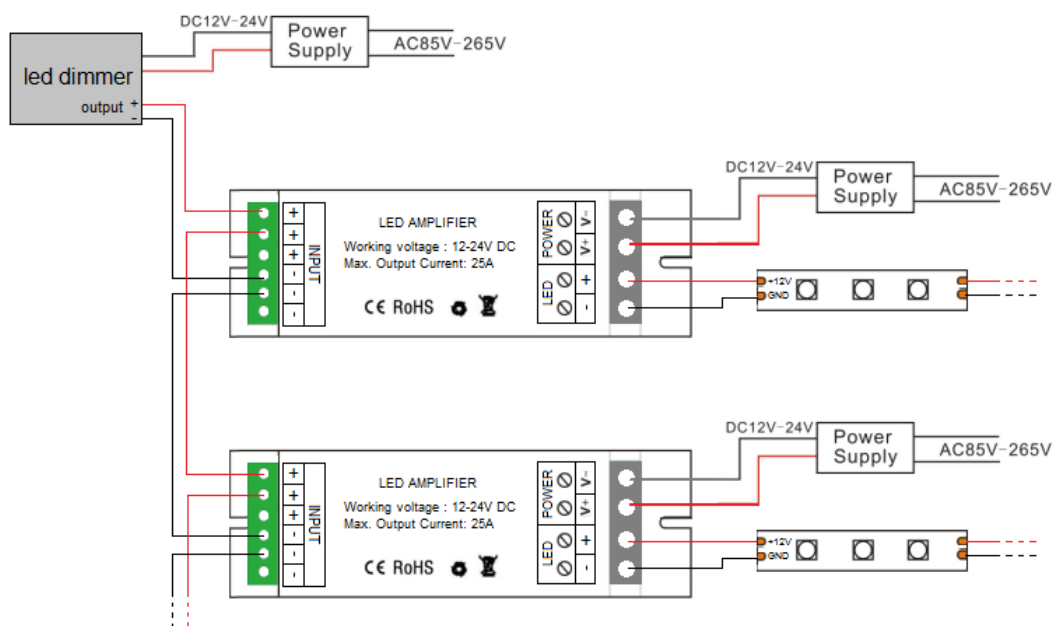
Interface Specifications



Direction for use

Seriously according to the print sign on the amplifier iron box, connect the input and output signal lines correctly. Then connect the power supplier to the amplifier Power. Specifically for the connection with LED controller and LED strip, please refer to the following <Typical Applications>.

Typical Applications



Product information for placing order

Product name	Item number
Single color Amplifier	HX-AMF-04