

HX-WP86-010D

0-10V Knob Wall panel dimmer

HX-WP86-010D is a wall panel dimmer, which output is 0-10V analog signal, compatible with various 0-10V CV led controller and CC led driver, to achieve stepless dimming via knob control, simple and intuitive control. Standards for commercial or home 86-type switch socket box installation, can be surface mounted or concealed, with fashion appearance, easy to install, simple to use and so on.



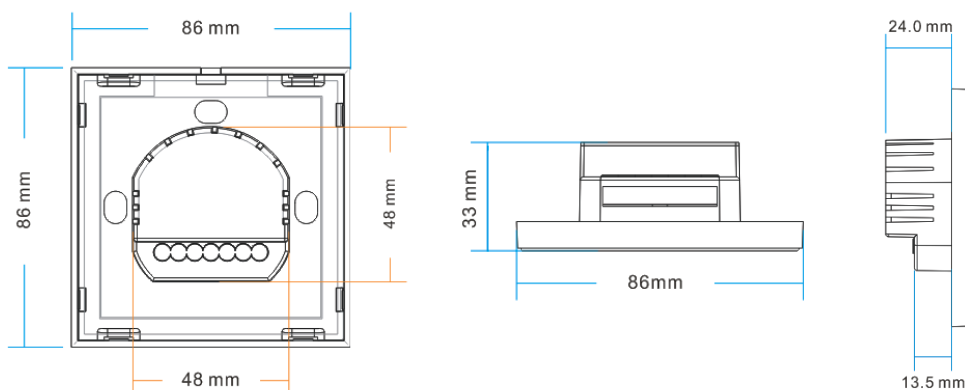
Product Feature

- 1.The working voltage is: AC90-265V, do not need to configure the adapter.
- 2.Output: single 0-10V, Max output current is 20mA, Multiple led lamps can be parallel connected
- 3.short circuit protection design, automatic recovery after short-circuits fault removal
- 4.Knob design, simple operation, fashion appearance
- 5.The structure and dimension according to the 86-type European standards.

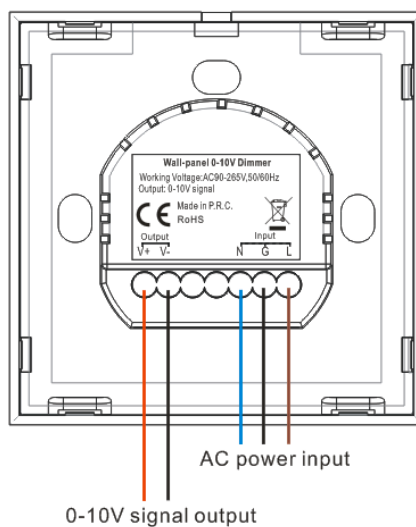
Technical specification

Working temperature	-20-60°C
Supply voltage	AC90V-265V
Standby power	<0.3W
Max input power	<1.8W
Output voltage	0-10V
Max supply current	<0.04A
Connection	wiring terminal
Max output current	20mA
External dimension	L86*W86*H50 mm
Packing size	L106*W106*H66 mm
Net weight	185g
Gross weight	200g

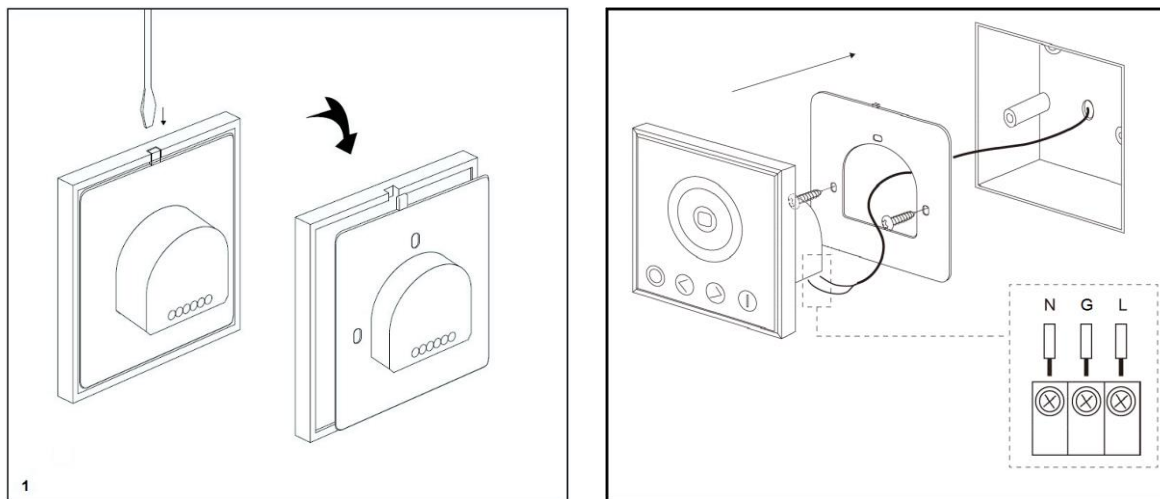
Case dimension



Connection diagram



Wall-panel Installation instruction



Direction for use

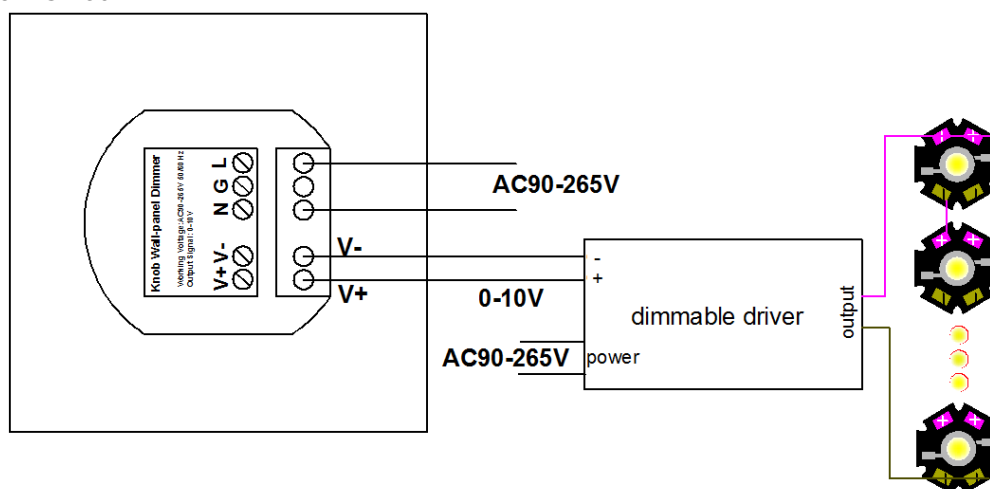
Wall panel function

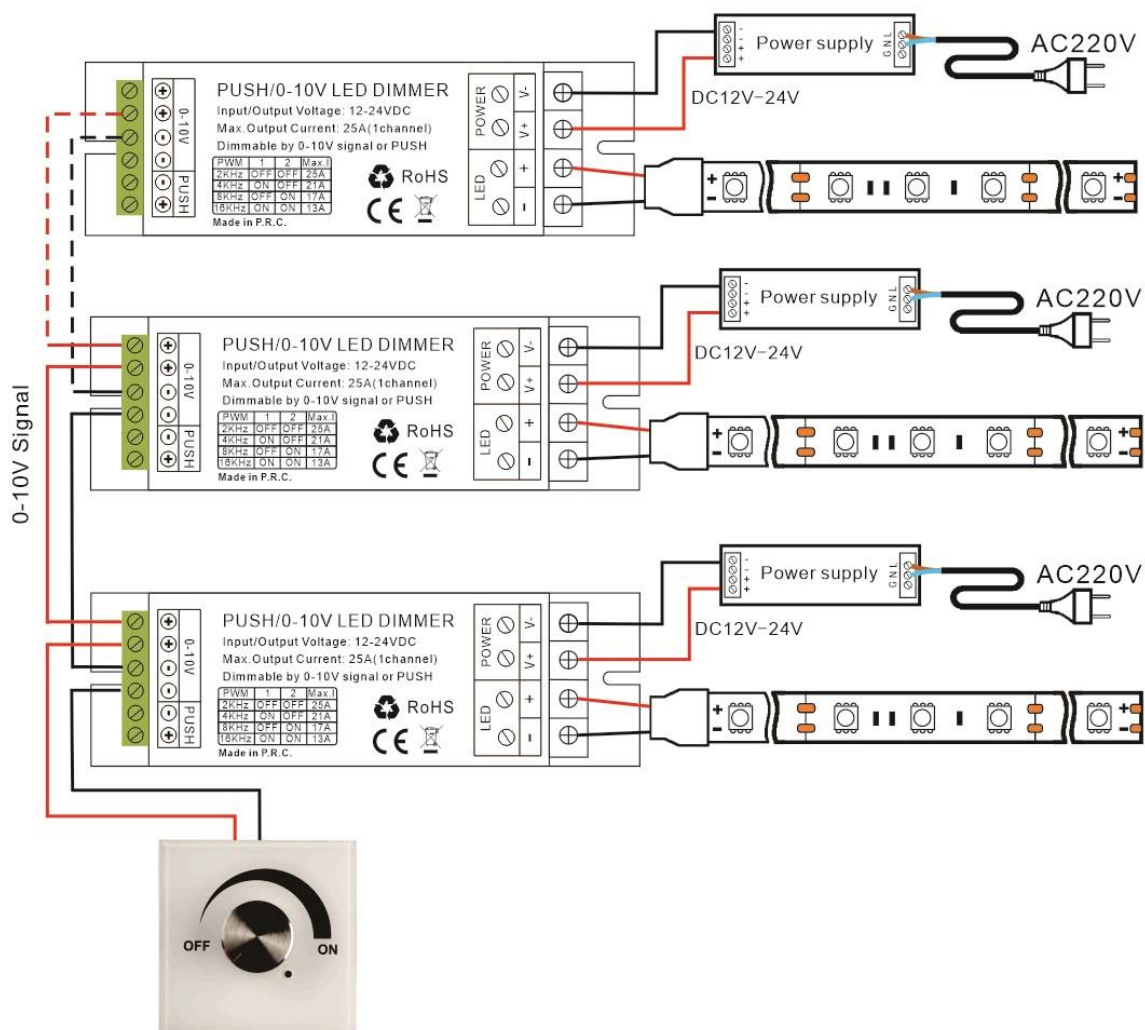


Turn the knob clockwise to increase the brightness(OFF-100%),
turn the knob counterclockwise to decrease the brightness(100%-OFF)


Typical Applications

Application Circuit





Related products

Item number	HX-SZ200(0-10V)	Picture
Working temperature	-20-60°C	
Supply voltage	12V~24V	
Output	1 channel	
External dimension	L127*W42*H33 (mm)	
Net weight	150g	
Gross weight	170g	
Output gray	256 levels	
Max. Output current	25A	
0-10V signal consumption	<0.1mA	

Control standard	0-10V analog signal	
Dimming range	OFF-100%	
PWM frequency	490±5Hz	

Product information for placing order

Product name	Item number
0-10V wall panel dimmer	HX-WP86-010D