

D011 WIFI led dimmer

Controller adopts the most advanced PWM (Pulse Width Modulation) digital control technology, it is used for controlling constant voltage LED lamps. For instance, point source of light, flexible light strip, led modules, led strings and so on.



Product Features

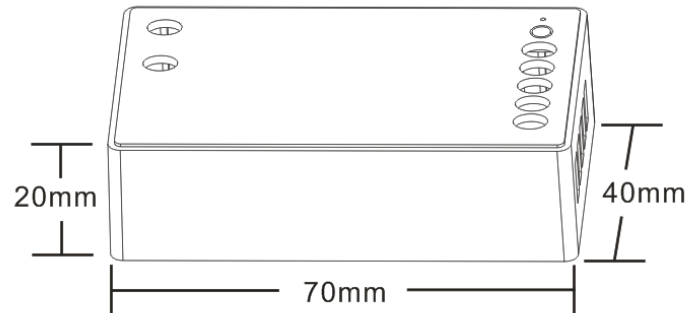
- DC12-24V, four channels output, Max. load current: 4CH*4A; Max. load power: 192W/12V; 384W/24V.
- Several RF remote controls are optional
- WIFI technology powered by Tuya, And compatible with voice control via Amazon Alexa, Google Assistant, Yandex Alice and so on.
- Wireless-synchronization function under remote controlled type.
- Memory function, each time power-on reserve the mode which stop in the last power-off.
- Designed for constant voltage single color LED lights
- Warranty of this product is three years, exclude the artificial situation of damaged or overload working.

Technical Parameters

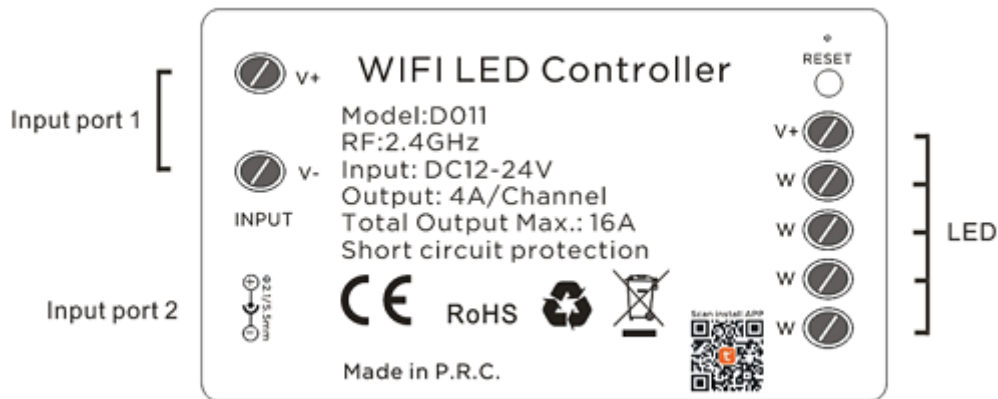
Working temperature	-20-60°C	Supply voltage	DC12V-24V
Static power consumption	<1W	Connecting mode	Common anode
Grayscale	1024 levels	Speed stage	1024 levels
External dimension	L70*W40*H20 mm	Packing size	L95*W47*H33mm
Net weight	45g	Gross weight	80g
RF frequency	2.4GHz	RF distance	≤20m
Short circuit protection	Yes	Memory function	Yes
Output	4 channels	Output current	≤4A(each channel)

PWM frequency	1.95KHz	Max. Output power	12V:<192W, 24V:<384W
----------------------	---------	--------------------------	----------------------

Dimensions



Interface Specifications



Direction for use

1). WIFI controlled by Tuya Application to achieve smart control like group control, scene control, timer control, music control and so on.

Scan QR code from controller to download Tuya application:  (Tuya).

Long pressing “Reset” button on controller and hold for 5 seconds until the loading LEDs flashing to start the connection with Tuya APP. Please read operation instruction of App, or following the pop-up prompt message with the APP, to finish the rest connection operation.

And compatible with voice control via Amazon Alexa, Google Assistant, Yandex Alice and so on.

2). Remote controlled optional

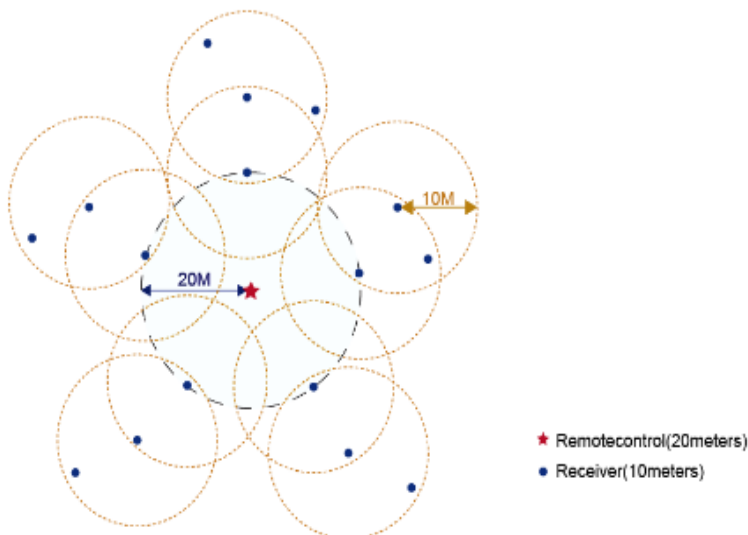
Please pair the controller to remote control before using. The operation instruction and functions can be find from manual of the compatible remote controls.

Compatible remote control

Item : HX-RFBT-2.4G (1 zone) 	Item : HX-RFBT10-2.4G (4 zone) 	Item : HX-RFBT12-2.4G (1 zone) 
Item: HX-RFBT15 (1 zone) 	Item: SWC-DIM-2.4G (1 zone) 	Item: HX-HWP86-XSP (4 zone) 
Item: HX-HWP86-DIM-2.4G (1 zone)	Item: HX-HWP86-DIM-4S (4 zone)	Item: HX-WP86-AP (RF signal repeater)
		

Wireless-synchronization function under remote controlled type

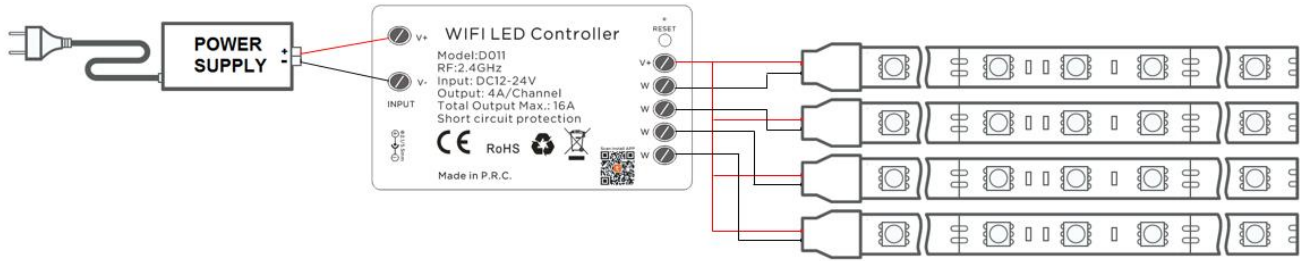
Receivers will transmit the control signals from the remote control and self-inspection the work statuses for each other, so multiple receivers can wireless-sync-work completely when be paired to the same one remote control, not only static mode but also dynamic mode, to achieve wired-like operation experience.



In order to achieve perfect wireless synchronization effect, please keep the distance between receivers within 10

meters as above show.

Typical Applications



Product information for placing order

Product name	Item number
WIFI led dimmer	D011