

Product Introduction

Product description: DLS001 (2.4G to 0-10V)

Remote control/System: RFBT/RFBK/ HWP86-DIM / Tuya System

Version: V1.0

Issue Date: 2018/05/26

Item Name	DLS001		
Version Record			
Version	Update description	Issue Date	Compatibility with last version
V1.0	Original version	2018/06/15	

Customer Confirmation Feedback, Company Name :

Test	Confirmation	Audit

Customer Needed Product Completed Item NO.

Item No. 1		Item No. 2	
Item No. 3		Item No. 4	

1. Product Picture:



2. Product Feature

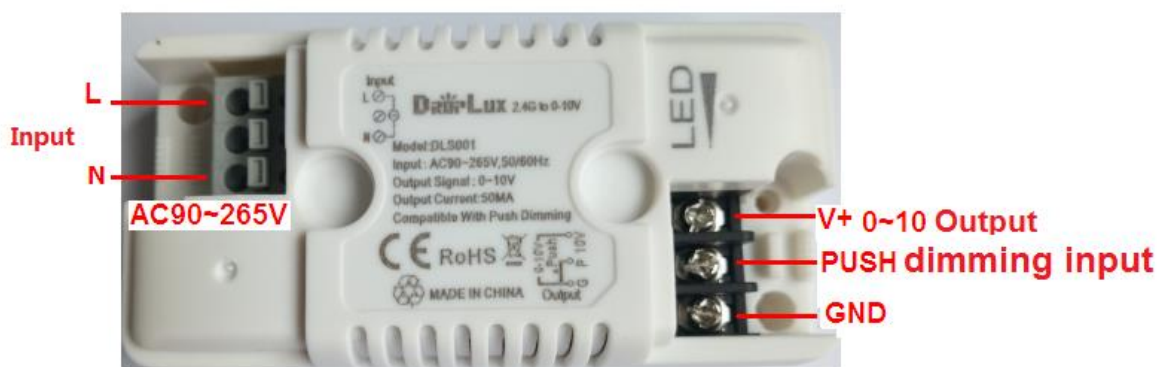
- 1) Isolated power supply
- 2) Protected from over voltage, short circuit
- 3) Output 0-10V signal
- 4) Memory function, each time power-on reserve the mode which stop in the last power-down.
- 5) 2.4GHz wireless control, Air Self-inspection Sync control
- 6) Compatible with Freelifighting Control system, realized phone WIFI smart control
- 7) Push dimming function compatible
- 8) Applicable place : Home, Shop, Hotel, Office and so on household/commercial indoor lighting
- 9) 3 years warranty.

3. Driver Technical Parameters




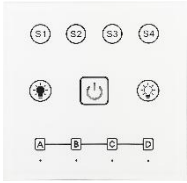




Electrical Performance Test are all in 25°C±10% temperature environment, 230VAC/50HZ input		
Factor	Index	HX-HV-10V
Input	Voltage Range	100-240VAC
	Frequency Range	47-63Hz
	Rate Current	0.027A
	Surge Current	≤50A
	Standby Power	≤1.1W
	Port	2 wire input (L/N)
Output	Output Voltage	0V-10VDC
	Output Current	50MA
	Current accuracy	±3%
Reliability	Power Supply	Isolated Power Supply
	Working Temperature Ta	-20~45°C
	Case Max Working Temperature Tc	85°C (working temperature 45°C, Max power)
	Storage Temperature	-40~85°C (relative humidity 20%-90% non-condensing)

	Life	50000 hours(25°C±10% temperature environment, 230VAC input, 100%LOAD, case temperature 72°C)
	Warranty	3 years
Safety and EMC	Certification CE-LVD	EN61347-1、EN61347-2-13
	Electromagnetic Compatibility CE-EMC	EMI (EN55022、EN61000-3-3) EMS (EN55024、EN61000-4-2, 3,4,5,6,11)
	Withstand voltage	I/P-O-P:3.75KVAC
	Insulation Resistance	≥100MΩ(in 25°C±10°C temperature environment, lower than 70% relative humidity, Input to output, input to ground, output to ground, apply 500VDC voltage respectively, Time is 60s)
Protection	IP	IP40
	Over Voltage Protection	Yes
	Short Circuit Protection	Yes
Other	Wireless Control	2.4GHz
	Push dimming way	PUSH port /V-
	Remote Control Distance	30m
	Memory Function	Yes
	Product G.W.	70g
	Product Size	L90*W45*H27mm
	Packing Size	L96*W48*H33mm

4. Port Instruction

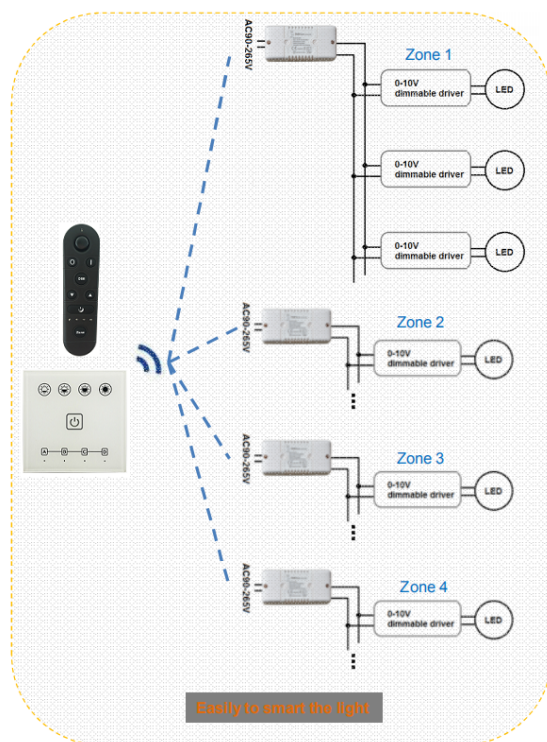


5. Product Compatibility (Applicable for remote)

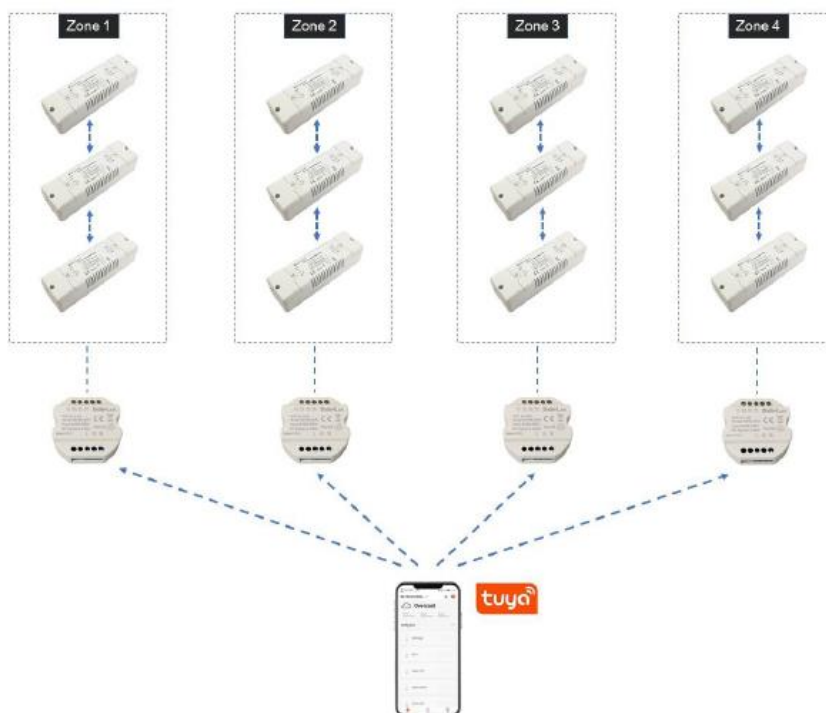
Item : HX-RFBT-2.4G (1 zone)	Item : HX-RFBT10-2.4G (4 zone)	Item : HX-RFBT12-2.4G (1 zone)
		
Item: HX-RFBT15 (1 zone)	Item: HX-HWP86-DIM-4S (4 zone)	Item: HX-HWP86-XSP (4 zone)
		
Item: HX-HWP86-DIM-2.4G (1 zone)	Item: HX-WP86-AP (RF signal repeater)	Item: HX-TUYA-2.4G-DIM
		

6. Typical Application

- 1) Compatible with a variety of models of remote control at the same time, could be matched according to project situation
- 2) Air Self-inspection Sync control not only make the product more advantaged than similar product in wireless sync function, but also make 1 remote controller out of limitation of remote control distance, theoretically achieve controlling numerous drivers wireless connection sync control function.
- 3) 4 zones remote typical application, multi drivers could be controlled in each zone. 4 zones could be respectively and all over controlled



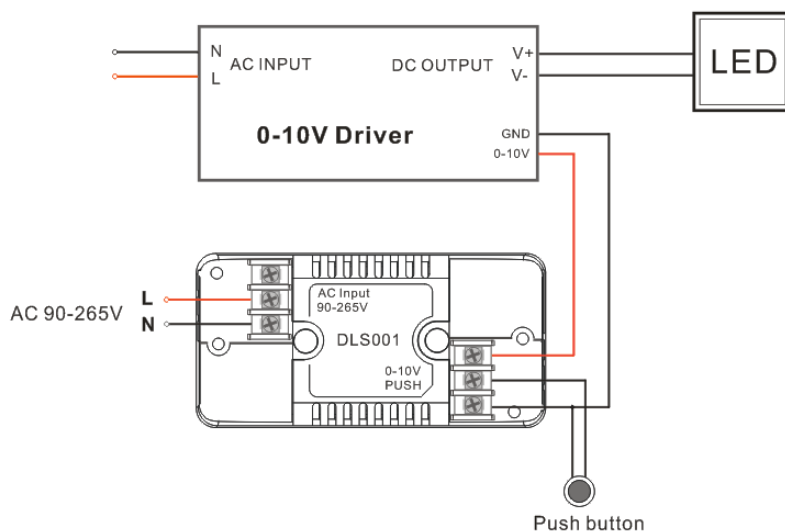
4) With TUYA-2.4G converter module, it can realize mobile phone intelligent lighting system control



5) 0-10V dimmer can adjust output voltage through PUSH port;

Operation: PUSH port connect with V-pin and the output voltage varies from 0 to 10V.

When the output is required, make the PUSH port and V-port disconnect, and the output voltage will store the current voltage value.



Tips:

- 1) If the lamp turned off by remote control, it also can restart the lamp directly by the AC power switch
- 2) If the dimmer is light up without any operation in 167 hours, the dimmer will turn off automatically and output as 0V. It will recount the time if there is any operation from power switch or remote control.
- 3) Each dimmer can save unique RF codes(for remote control) and unique wifi code(for wifi control). You can copy the RF code between remotes when more than one remote are needed. Please get the operation instruction from the remotes specification.
- 4) Memory function, each time power-on reserve the mode which stop in the last power-down.