

## HX-SZ200-0-10V

### LED 0-10V Dimmer

0-10V dimmer adopts the advanced micro control unit, It can receive the 0-10V analog control signal which is internationally widely used. It changes the signal into PWM control signal to actuate the LED lamp. Dimming range from 0-100%, stable and soft.



### Product Feature

- Adopt the advanced micro unit.
- Receive the 0-10V analog control signal which is internationally widely used.
- PWM control signal to actuate the LED lamp, dimming from 0-100%, stable and soft.
- PWM signal frequency: 2KHz.
- Output gray, 4096 levels.
- 3-year warranty.

## Technical Parameters

<b>Working temperature</b>	-20-60°C
<b>Supply voltage</b>	12V~24V
<b>Output</b>	1 channel
<b>External dimension</b>	L127*W42*H33 (mm)
<b>Packing size</b>	L135*W55*H40 (mm)
<b>Net weight</b>	150g
<b>Gross weight</b>	170g
<b>Output gray</b>	4096 levels
<b>Max. Output current</b>	<25A
<b>Control standard</b>	0-10V analog signal
<b>0-10V signal consumption</b>	<0.1mA
<b>Dimming range</b>	0-100%
<b>PWM frequency</b>	2KHz

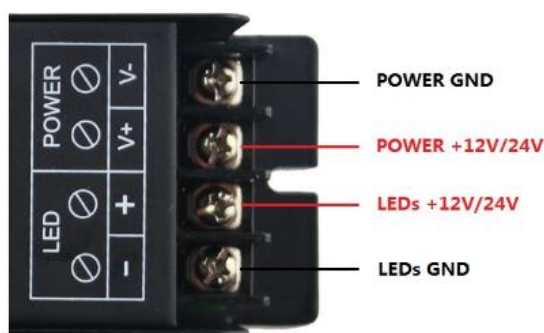
## Interface Specifications

0-10V analog signal input/output interface:



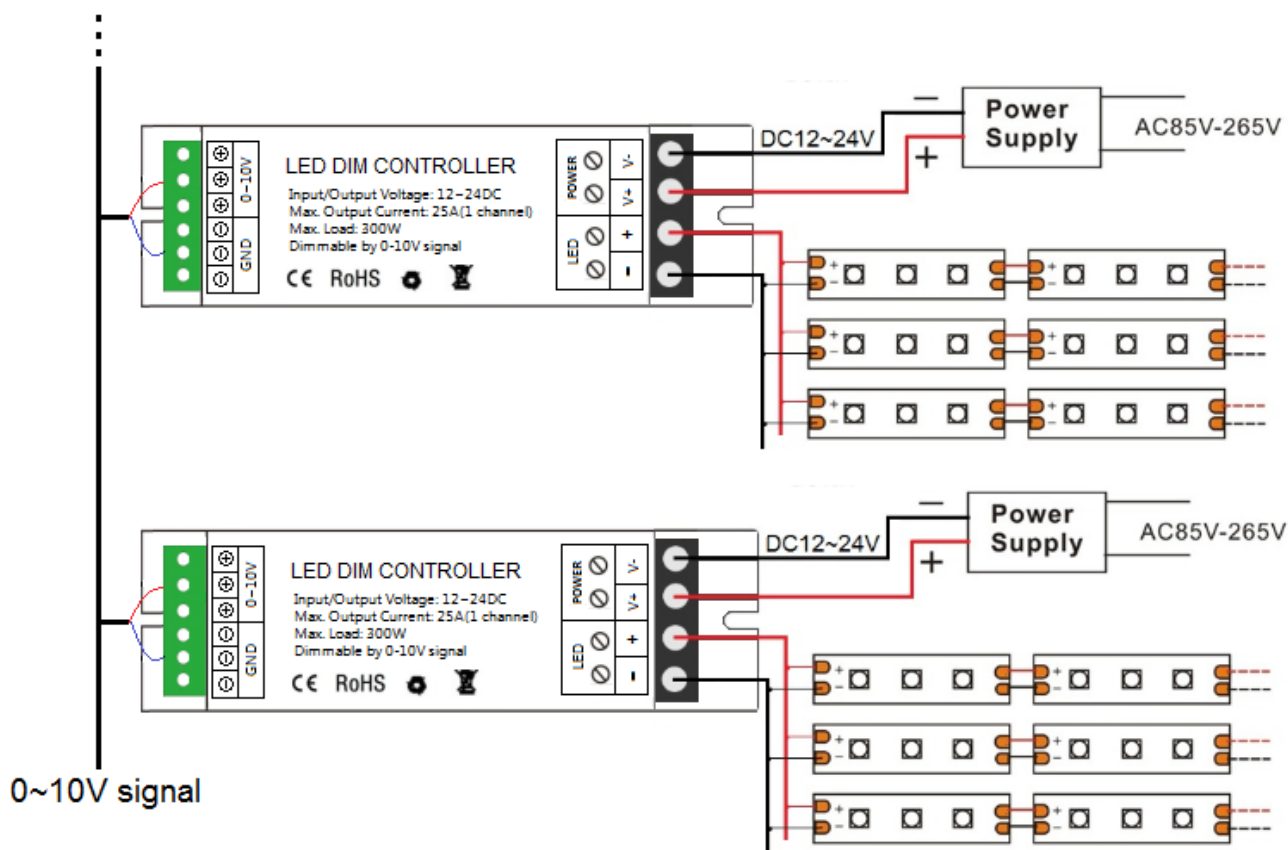
Adopt screw terminals.

Power and Payload interface:



Adopt screw terminals.

### Typical Applications



Product information for placing order

Product name	Item number
LED 0-10V Dimmer	HX-SZ200-0-10V