

## HX-MINI006-RFBT15-DIM/CCT/RGB/RGBW

D006 MINI series WIFI led controller for DIM/CCT/RGB/RGBW

Controller adopts the most advanced PWM (Pulse Width Modulation) digital control technology, it is used for controlling constant voltage LED lamps. For instance, point source of light, flexible light strip, led modules, led strings and so on. HX-MINI006-RFBT15-DIM for single color, HX-MINI006-RFBT15-CCT for dual white, HX-MINI006-RFBT15-RGB for RGB, HX-MINI006-RFBT15-RGBW for RGBW. The WIFI control technology powered by Tuya.



### Product Features

- WIFI technology powered by Tuya.
- DC12-24V, four channels output, Max. load current: 1ch\*6A(DIM), 2chs\*3A(CCT), 3chs\*2A(RGB), 4chs\*1.5A(RGBW).
- RF remote control is optional, compatible remote control item: RFBT15.
- Wireless-Sync control function. Receivers will transmit the control signals from the remote control and self-inspection the work statuses for each other, so multiple receivers will wireless-sync-work completely.
- Memory function, each time power-on reserve the mode which stop in the last power-off.

- Warranty of this product is three years, exclude the artificial situation of damaged or overload working.

## Technical Parameters

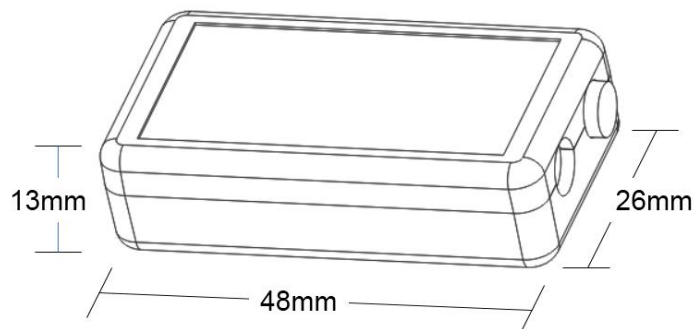
### Receiver:

<b>Working temperature</b>	-20-60°C	<b>Supply voltage</b>	DC12V-24V
<b>Static power consumption</b>	<1W	<b>Connecting mode</b>	Common anode
<b>Grayscale</b>	1024 levels	<b>Speed stage</b>	1024 levels
<b>External dimension</b>	L48*W26*H13 mm	<b>Net weight</b>	20g
<b>RF frequency</b>	2.4GHz	<b>RF distance</b>	≤20m
<b>Button control</b>	Yes	<b>Memory function</b>	Yes
<b>Output</b>	Depends on DIM: 1 CH CCT: 2 CHs RGB: 3 CHs RGBW: 4 CHs	<b>Output current</b>	≤6A(total) DIM:1*6A CCT: 2*3A RGB: 3*2A RGBW: 4*1.5A
<b>PWM frequency</b>	1.95KHz	<b>Max. Output power</b>	12V:<72W, 24V:<144W

### Remote control (optional)

<b>Working temperature</b>	-20-60°C	<b>Working voltage</b>	3V(AAA*2PCS)
<b>Sleep current</b>	<25uA	<b>Emission current</b>	<17mA
<b>Sleep power consumption</b>	<75uW	<b>Emission power consumption</b>	<51mW
<b>Net weight</b>	80g	<b>Dimension</b>	Φ60*35mm
<b>RF distance</b>	≤30m	<b>RF frequency</b>	2.4GHz
<b>Accessories</b>	holder 1pc, 3M foam sponge glue 1pc.		

## Dimensions

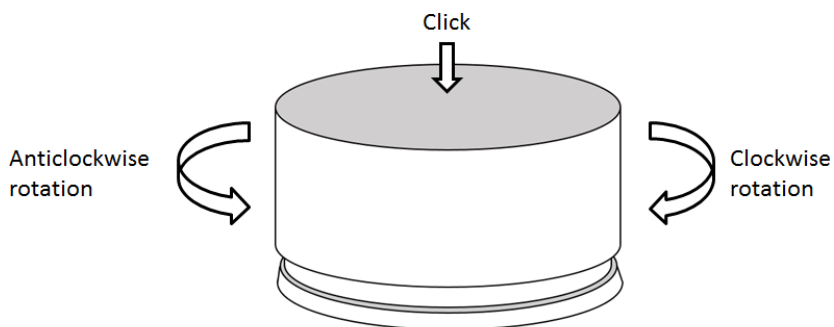


## Interface Specifications

Loading port: DC plug for DIM,  
 Input port: DC plug (2.1/5.5)      4PIN for CCT/RGB, 5 PIN for RGBW



## 4. Remote Control Function



**DIM** (work with single color receiver), **item: HX-MINI006-DIM**

ON/OFF: Short-click

Adjusting brightness: Rotating / Pressing+Rotating (Turning from modes to adjust brightness:)

Modes: Double-short-click

Mode's list

No.	Mode	Marks
1	Flash	Rotating to adjust the speed

<b>2</b>	Fade	
----------	------	--

**CCT**(work with CW+WW receiver) , **item: HX-MINI006-CCT**

ON/OFF: Short-click

Adjusting brightness: Rotating/ Pressing+Rotating (Turning from modes to adjust brightness:)

Adjusting CCT: Pressing+Rotating

Modes: Double-short-click

Modes list

No.	Mode	Marks	No.	Mode	Marks
			.		
<b>1</b>	WW+CW flash	Rotating to adjust the speed	<b>3</b>	WW/CW flash in turn	Rotating to adjust the speed
<b>2</b>	WW+CW fade		<b>4</b>	WW/CW fade in turn	

**RGB**(work with RGB receiver), **item: HX-MINI006-RGB**

ON/OFF: Short-click

Adjusting brightness/speed: Rotating

Adjusting color: Pressing+Rotating

Modes: Double-short-click

Modes list

No.	Mode	Marks	No.	Mode	Marks
			.		
<b>1</b>	3 colors flash	Rotating to adjust the speed	<b>5</b>	White flash	Rotating to adjust the speed
<b>2</b>	7 colors flash		<b>6</b>	White fade	
<b>3</b>	3 colors fade		<b>7</b>	Red-blue fade	
<b>4</b>	7 colors fade		<b>8</b>	Green-blue fade	

**RGBW**(work with RGBW receiver) , **item: HX-MINI006-RGBW**

ON/OFF: Short-click

RGB/W switching: 2s-long-pressing

Adjusting brightness/speed: Rotatin

Adjusting color: Pressing+Rotating

Modes: Double-short-click

Hotkey: 3 times-short-click to overall ON/OFF


Modes list

No.	Mode	Marks	No.	Mode	Marks
			.		
<b>1</b>	3 colors flash	Rotating to adjust the speed	<b>5</b>	White flash	Rotating to adjust the speed
<b>2</b>	7 colors flash		<b>6</b>	White fade	
<b>3</b>	3 colors fade		<b>7</b>	Red-blue fade	

<b>4</b>	7 colors fade	<b>8</b>	Green-blue fade
----------	---------------	----------	-----------------

## 5. Direction for use

1). WIFI controlled by Tuya Application to achieve smart control like group control, scene control, timer control, music control and so on.

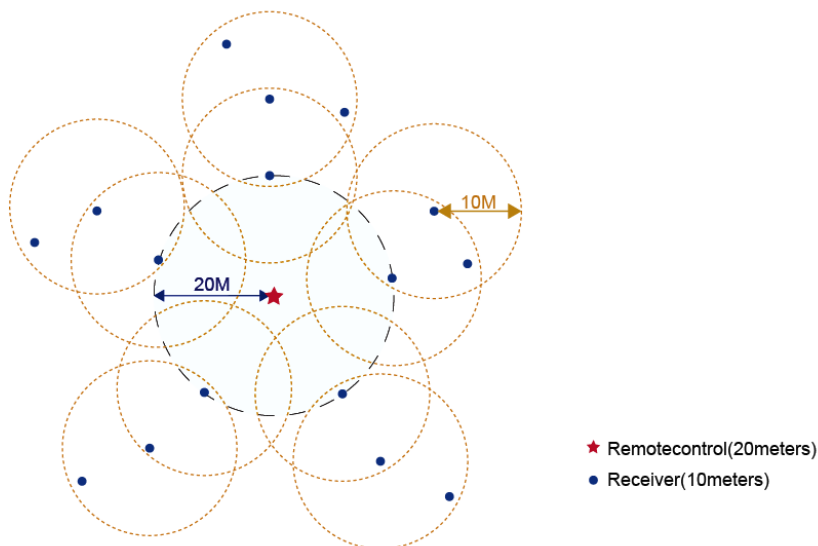
Scan QR code from controller to download Tuya application: (Tuya).   
 Long pressing "Set" button on controller and hold for 5 seconds until the loading LEDs flashing to start the connection with Tuya APP. Please read operation instruction of App, or following the pop-up prompt message with the APP, to finish the rest connection operation.  
 And compatible with voice control via Amazon Alexa, Google Assistant, Yandex Alice and so on.

### 2). Remote controlled by RFBT15

Please pair the controller to RFBT15 remote control before using. The operation instruction and functions can be find from manual of RFBT15 remote control.

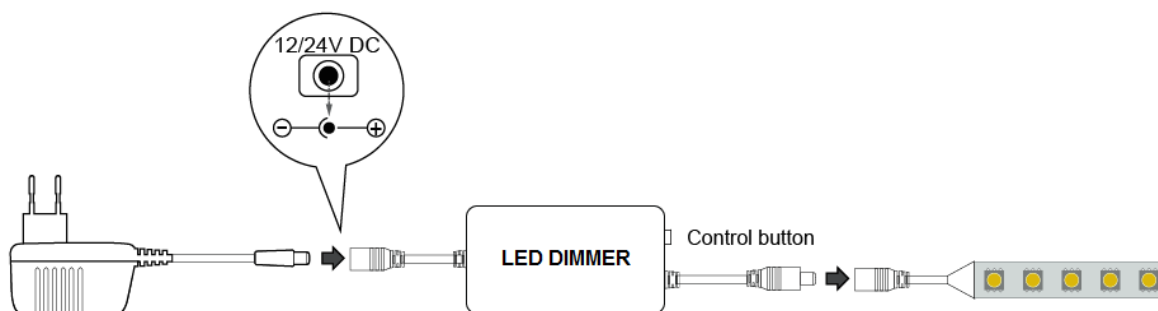
## Wireless-synchronization function

Receivers will transmit the control signals from the remote control and self-inspection the work statuses for each other, so multiple SAME MODEL receivers will wireless-sync-work completely.

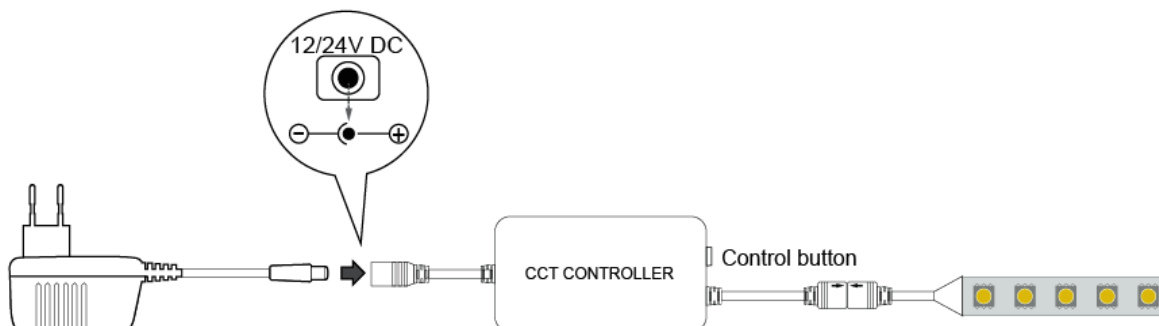


## 6. Typical Applications

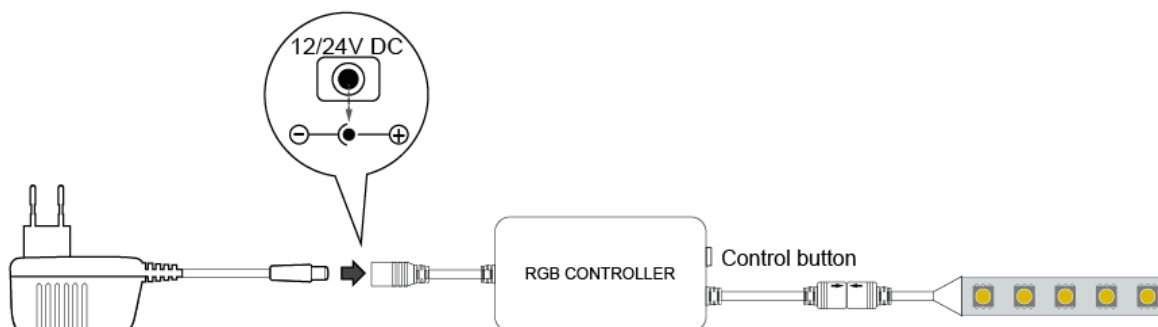
**Application Circuit 1:** Single color ( power input by DC male plug 2.1/5.5, led output by DC female plug 2.1/5.5)



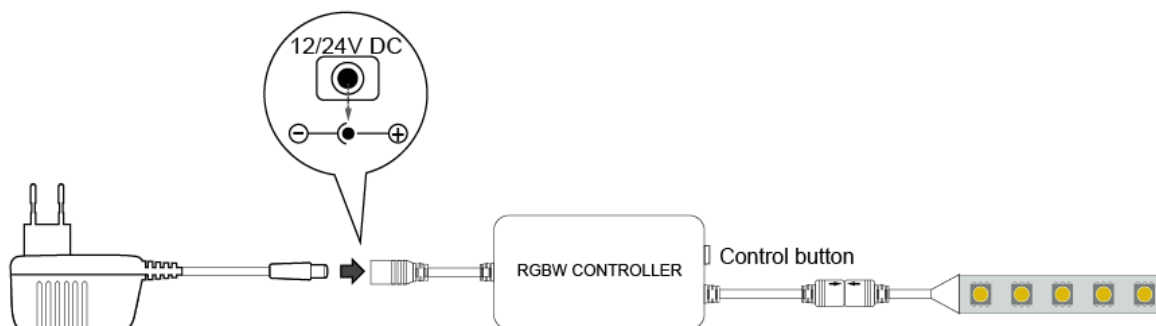
**Application Circuit 2:** CW+WW(power input by DC male plug 2.1/5.5, led output by 4 pin\*2.54 connector: V+ CW NC WW)



**Application Circuit 3:** RGB (power input by DC male plug 2.1/5.5, led output by 4 pin\*2.54 connector: V+ G R B)

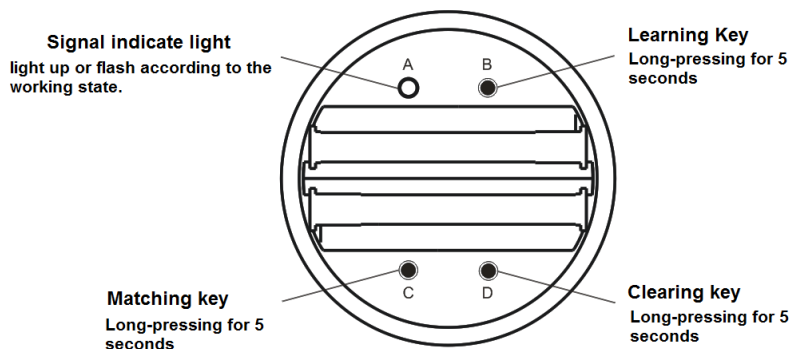


**Application Circuit 4:** RGBW (power input by DC male plug 2.1/5.5, led output by 5 pin\*2.54 connector: V+ G R B W)



## 7. Wireless remote control code value setting method

The number of controllers and remote controls in one system is unlimited. 2.4G Smart system has one unique RF code for communication. Each controller and each remote control can remember only one RF code, recorded in the first programming. New RF code can be recorded after delete the old one.



*Code matching operation: the receiver will only be controlled by the value code remote control.*

Step	Operation	Instructions
1	Connecting the load to the receiver and power on it.	1. It is necessary to clear the code first, if the receiver was coded before. 2. Batch operation can be performed within the remote control range. 3. Please remember to cut off other un-code zones power, or will be paired together.
2	Press and hold "C" on the remote control for 5 seconds	The indicator of the remote control will flash quickly, see the load light flashes 3 times and return to the initial state, means matching coding is finished successfully
3	Press any key to exit and end the operation	Also will automatically exit code transmission status after 60 seconds

*Code clearing operation: that the original code value of the receiver will be cleared and returned to the factory state. Then it can be controlled by any compatible remote control, also can be paired to a new code.*

Step	Operation	Instructions
1	Connecting the load to the receiver and power on it.	1. The clearing operation should be finished within 1 minute after the receiver is powered on. 2. Batch operation can be performed within the remote control range.
2	Press and hold "D" on the remote control for 5 seconds	1. The indicator of the remote control will flash quickly, see the load light flashes 3 times and return to the initial state, means pairing coding is finished successfully.

		2. If the original remote control is lost, the new remote control can be used for clearing operations.
<b>3</b>	Press any key to exit and end the operation	Also will automatically exit code transmission status after 60 seconds.

***Code learning operation between remote controls: Used to unify system code values or copy a new remote control.***

Since each remote control has its own unique RF code at the time of delivery, when there are multiple remote controls in one system, one of them must be selected as a main, and other remote controls should copy its RF code.

- 1) **Main** remote control: Press and hold “C” key for 5 seconds. The indicator of the remote control will flash quickly, means it enters the pairing code transmission status.
- 2) **New** remote control: Press and hold “B” key for 5 seconds, indicator will turn from 100% to off means it enters learning code status.
- 3) Indicator of the new remote control flash three times after successful code learning.

**Remote control RF code learning from controllers**

- 1) Turn off the power supply of the controllers.
- 2) Press and hold “B” key for 5 seconds until indicator of remote control turns off.
- 3) Turn on the power supply of the controllers. Indicator of the remote control flashes three times after successful code learning.

**Note:** The distance from controllers to remote controls should be less than 2 meters.

**Restoring factory settings of remote control**

- 1) Press and hold “B” key for 20 seconds until indicator of remote control process the state as 100% -off-100%.
- 2) Press “D” button to submit and finish the operation. Indicator of the remote control will flash three times after successful operation.

**8. Remote control accessories installation instructions**

Accessories include holder 1pc, 3M foam sponge glue 1pc,AAA batteries 2pcs.

Installation instruction:

- 1) Using 3M foam sponge glue make free drilling installation of the holder onto the suitable wall or furniture surface.
- 2) Placing Knob on the holder to operate the controlling, or take the knob and use it on any tabletop as convenience.

**9. Packing**





Product information for placing order

Product name	Item number
<b>HX-MINI006-RFBT15-DIM/CCT/RGB/RGBW</b>	<b>Set packing:</b> HX-MINI006-RFBT15-DIM HX-MINI006-RFBT15-CCT HX-MINI006-RFBT15-RGB HX-MINI006-RFBT15-RGBW <b>Remote control:</b> HX-RFBT15 <b>Receiver:</b> MINI006-DIM MINI006-CCT MINI006-RGB MINI006-RGBW